

Description

The Autani *Wireless Range Extender* expands the range of the *autaniNet* wireless network, allowing devices to communicate with each other over larger distances.

A dedicated range extension device, the *Wireless Range Extender* adds a high-powered radio to the wireless mesh for the purpose of extending the range of the network. Because the *Range Extender* performs no other functions, it can effectively route and extend the network better than a node that is used for multiple purposes.

Applications

Wireless Range Extenders are suitable for renovation, upgrade, and new construction projects.

- Private & Open Offices
- Corridors & Hallways
- Classrooms & Gymnasiums
- Warehouse Spaces & Manufacturing Areas
- Patient Care Rooms
- Transportation Terminals
- Retail & Grocery Stores



Features

- Cost effectively expands the range of a wireless network
- Simple to install using Autani's auto-commissioning software features
- Easy to add in nearly any location needed
- Provides reliable communication between devices
- EnergyCenter products operate independently or as an integrated solution with other members of the EnergyCenter family
- **Designed & Made in the USA**

Specifications

ELECTRICAL

- Input Voltage: 12-30V AC/DC
- Input Current: 100mA max.

RADIO NETWORK (autaniNet)

- IEEE 802.15.4-2003 2.4GHz ISM
- Range: Up to 2000' LOS transmit/ receive

REGULATORY APPROVALS

- FCC ID: V8NZRB1000152
- IC: 7737A-ZRB1000152

ENVIRONMENTAL

Test condition of all ratings 25°C

- Operating Temperature: 0° to 60°C
- Storage Temperature: -25° to 80°C
- Rated for indoor use only

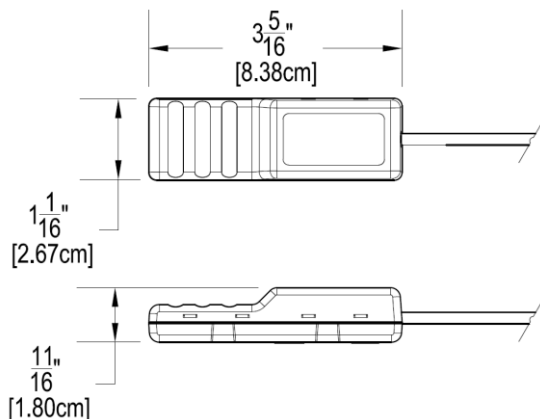
PHYSICAL

- Dimensions (HxWxD): 3.35 x 1.07 x .71in
- Color: White
- Weight/ Shipping Weight: <10 oz/<1lb



Indoor use only

Dimensions



Ordering Information

SKU / ID	Description
A07-01-0403-01 RX1-AC	autaniNet Wireless Range Extender w/AC Power Supply
A07-01-0403-02 RX1	autaniNet Wireless Range Extender w/1' Wires
A13-01-1003-03 RX1-OUT	Kit, Outdoor Range Extender, With Outdoor Power Supply