

Description

The Autani A610M-ZB is a Zigbee HA 1.2 compatible motion, light, and temperature sensor designed for installation on commercial and industrial lighting fixtures such as troffers, suspended linears, and surface mounts. The relay-less low voltage sensor uses PIR (passive infrared) sensing technology to detect motion in its coverage area and automatically dim or turn off lights when persons have left the area, reducing energy usage. A built-in photodiode enables daylight harvesting operation and increases energy savings, while a temperature sensor enables HVAC applications.

The Autani A610M-ZB sensor applies 100% dimming to 0–10V dimming compatible connected lights when motion is detected. When the sensor no longer detects movement and the standby time delay expires, the lights are dimmed according to a set dimming level and are switched off after the dimming time delay expires. Ambient light and temperature sensor endpoints are available to lighting control software, permitting additional energy-saving optimizations.

Applications

Autani's low profile sensors are designed for installation inside the bottom of a light fixture body and are ideal for the following applications:

- Troffers
- Panels
- Wraparounds
- Suspended linears
- Surface mounts
- Wall mounts



Features

- Multi-element PIR detector has excellent sensing performance when coupled with internal lens
- Up to 600 ft² coverage area at 10 ft mount height
- Low voltage on/off/dimming control of lighting fixture(s)
- 0–10V dimming control compatible with Dim-to-Zero LED drivers and fluorescent ballasts
- Fully software configurable standby/dimming time delays for a wide range of installations and applications
- Daylight harvesting functionality can observe preset ambient light thresholds and keep lights off
- Temperature sensor enables HVAC applications
- UV resistant, flame retardant, impact resistant, and recyclable polycarbonate construction

Specifications

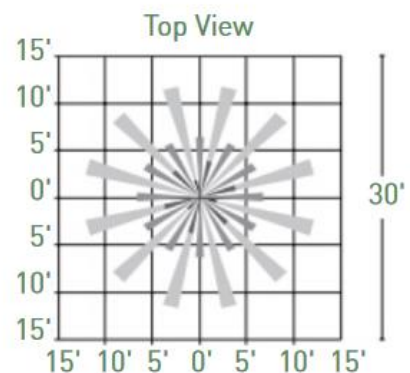
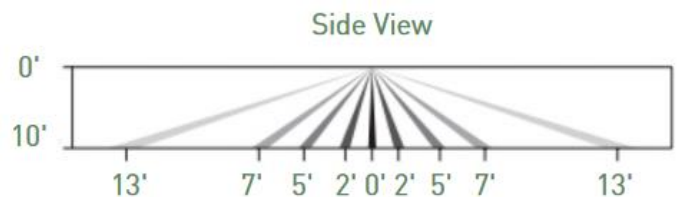
- Input Voltage: 12VDC
- 0–10VDC Dimming Current: 50mA (max sink)
- Photocell Sensitivity: 1–300 fc
- Temperature Sensitivity: –67 to +257 °F (–55 to +125 °C)
- Radio Power: +12dBm transmit; 262 ft (80m) range LOS
- Wireless Compatibility: Zigbee Home Automation 1.2
- Operating Temperature: –4 to +140 °F (–20 to +60 °C)
- Operating Humidity: 20–90% non-condensing
- Weatherproof Rating: IP44 for indoor use only
- Safety Certifications: UL/cUL Listed, File E513483
- Regulatory Compliance: CE, RoHS, FCC, CA Title 24

Indoor use only

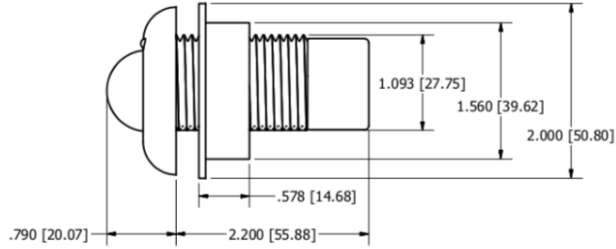
Ordering Information

SKU	Description
A02-51-1230-03	Autani A610MT-ZB Sensor <i>In-fixture mounted motion/light/temp sensor with full 0–10V dimming & Zigbee compatible radio</i>
A08-01-0161-01	Autani Edge Connection License <i>Required for Autani Linked sensors in addition to Node Licenses</i>

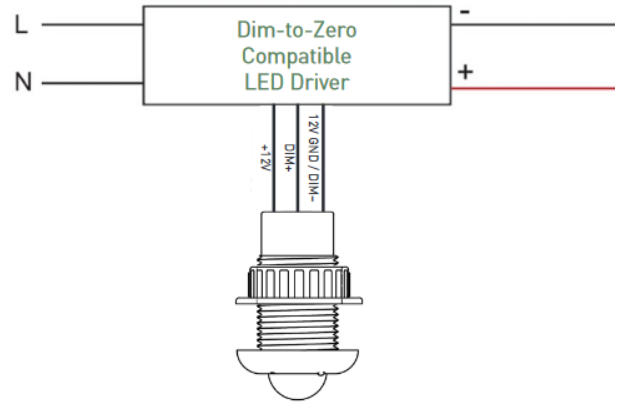
Coverage Pattern



Dimensions



Wiring



Mounting

