

## Description

Autani's A620 High/Low Bay Sensor uses PIR motion detection architecture and passive infrared (PIR) technology for improved detection coverage. The sensor is suitable for a variety of indoor and outdoor applications. It comes with a Low Voltage Connector for mounting up to 40ft high. The sensor is IP65 rated for use in temperatures ranging from  $-40^{\circ}$  to  $70^{\circ}\text{C}$ . This device can be powered by 12V auxiliary power from dim-to-off LED driver for easy setup and operation.

Compatible with Autani Linked, Insights utilizes Autani's Energy Center platform to easily set schedules, dim level, daylight detection, create zones and groups and more.

## Applications

*The sensor is suitable for renovation, upgrade, and new construction projects.*

- Private & Open Offices
- Corridors & Hallways
- Classrooms & Gymnasiums
- Warehouse Spaces & Manufacturing Areas
- Patient Care Rooms
- Transportation Terminals
- Retail & Grocery Stores



## Features

- PIR sensor
- Occupancy and Vacancy Detection
- Daylight Harvesting
- 0-10V Dimming output
- Photocell control, High-End Trim, Zoning, Dimming
- Energy Monitoring and Scheduling with Autani Linked
- Mounting height up to 40 ft (12.2 m). Lens dependent.
- 360° coverage pattern
- Outdoor and Indoor rated
- Low Voltage Connector
- Secure wireless communications with all of Autani's *Linked and Insights* devices



## Specifications

### ELECTRICAL

- Sensor Type: PIR sensor
- Input Voltage: 12-24 VDC
- Current Consumption: 50 mA
- 0-10V Output: 30 mA
- Active High: 3.6W

### ENVIRONMENTAL

- Operating Temperature: -40° C to 70° C
- Storage Temperature: -40° C to 85° C
- Relative Humidity: 90-95% non-condensing at 30° C

### SPECIFICATIONS

- Maximum Mounting Height: 40ft (12.2m)
- Color: Black / Dark Brown
- Warranty: 5 years

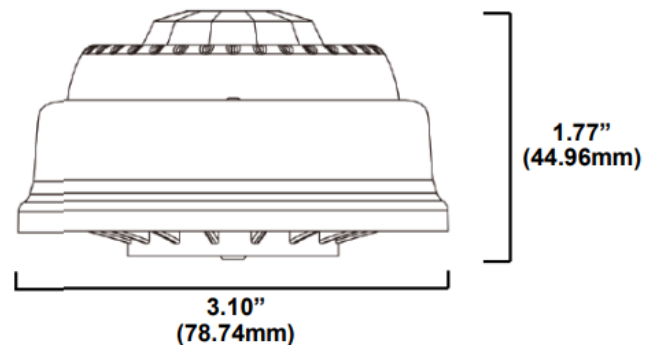
### RADIO NETWORK (*autaniNet*)

- IEEE 802.15.4-2003 2.4GHz ISM

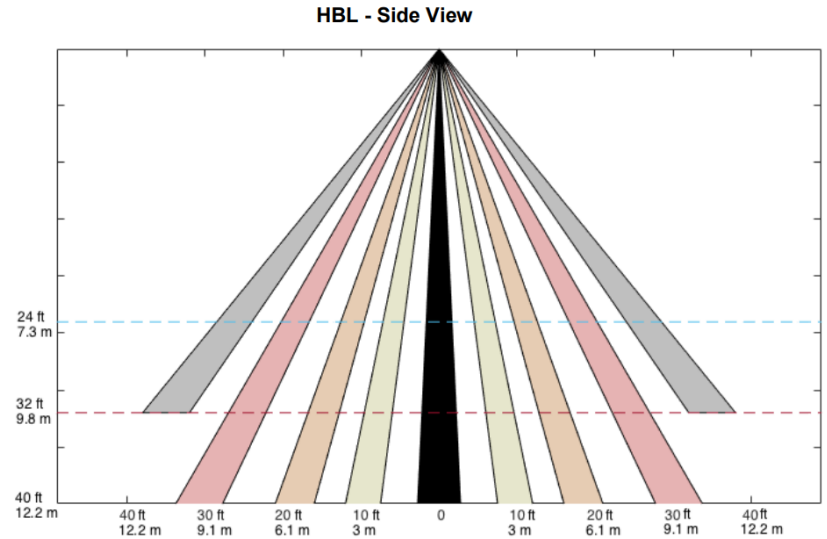
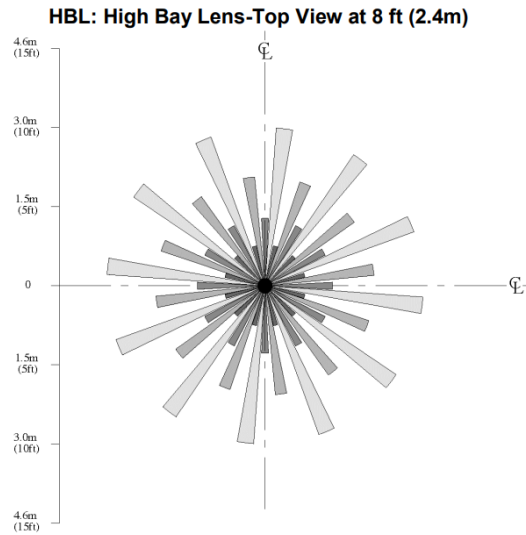
## Ordering Information

SKU	Description
A02-52-6034-01	<b>Autani High/Low Bay Sensor A620</b> IP65 PIR Sensor / Low Voltage Controller, standard Brown Color
<b>Accessories</b> <i>Input: 100-277VAC, Output: 12.5VDC</i>	
A02-52-6034-02	Lens for A620- High Bay
A02-52-6034-03	Lens for A620- Low Bay
A02-52-6034-04	Low Voltage 4 Pin Connector, Outdoor Rated

## Dimensions



**Detection Area**



**Sensor Block Diagram**

