

Description

The Autani Wireless *Closure Sensor* is an easy to install, compact, high performance dry contact sensor with an integrated wireless transceiver that uses the *autaniNet* wireless mesh network to connect to Autani *Manager* appliances and other *EnergyCenter* devices.

The low voltage, line powered *Closure Sensor* provides one channel of contact input used to detect the open-and-closed status of a pair of isolated contacts, such as a relay or switch. Wire leads can be connected to contacts and switches to sense momentary or maintained position.

Contact detected by the wireless *Closure Sensor* is used by Autani's powerful *EnergyCenter* family of Integrated Energy Management software applications and hardware to trigger changes in HVAC, lighting, load, and plug load.

Applications

Wireless Closure Sensors are suitable for renovation, upgrade, and new construction projects.

- Private & Open Offices
- Corridors & Hallways
- Classrooms & Gymnasiums
- Warehouse Spaces & Manufacturing Areas
- Patient Care Rooms
- Transportation Terminals
- Retail & Grocery Stores



Features

- Discreet, attractive, low-profile design
- High performance, compact contact closure sensor with wireless connectivity
- No control wiring required! *autaniNet* secure wireless 2.4GHz communications with Autani Manager and other network devices
- Multiple sensors can be located in the same room to optimize HVAC, lighting, load, and plug load control
- Low voltage, line powered device requires no batteries
- One channel of momentary or maintained dry contact input
- Quick and easy to install
- Autani's *EnergyCenter* products operate independently or as an integrated solution
- FCC Certified
- **Designed & Made in the USA**

Specifications

ELECTRICAL

- Input Voltage: 12 to 24VDC, 24VAC
- Input Current: 100mA max.

I/O PORT

- Channel 1: Dry contact, momentary or maintained

RADIO NETWORK (*autaniNet*)

- IEEE 802.15.4-2003 2.4GHz ISM
- Range: Up to 2000' LOS transmit/ receive

REGULATORY APPROVALS

- FCC ID: V8NZRB1000152
- IC: 7737A-ZRB1000152

ENVIRONMENTAL

- Test condition of all ratings 25°C
- Operating Temperature: 0° to 60°C
- Storage Temperature: -25° to 80°C

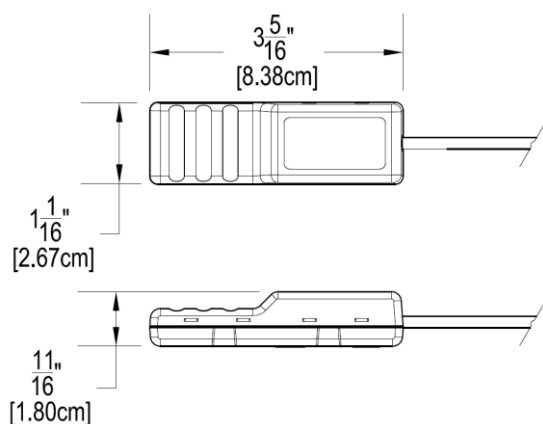
PHYSICAL

- Dimensions (HxWxD): 3.35 x 1.07 x 0.71in
- Color: White
- Weight/ Shipping Weight: <10 oz/ <1lb



Indoor use only

Dimensions



Ordering Information

SKU	Description
A05-01-0160-01	Autani Wireless Closure Sensor
Optional Accessories	
A07-01-0403-01	<i>autaniNet</i> Wireless Range Extender. Includes 24VDC Power Supply with parallel blade plug.
A07-01-0403-02	<i>autaniNet</i> Wireless Range Extender. Requires 24VDC Power Supply (not included).